



ROLL UP DOOR

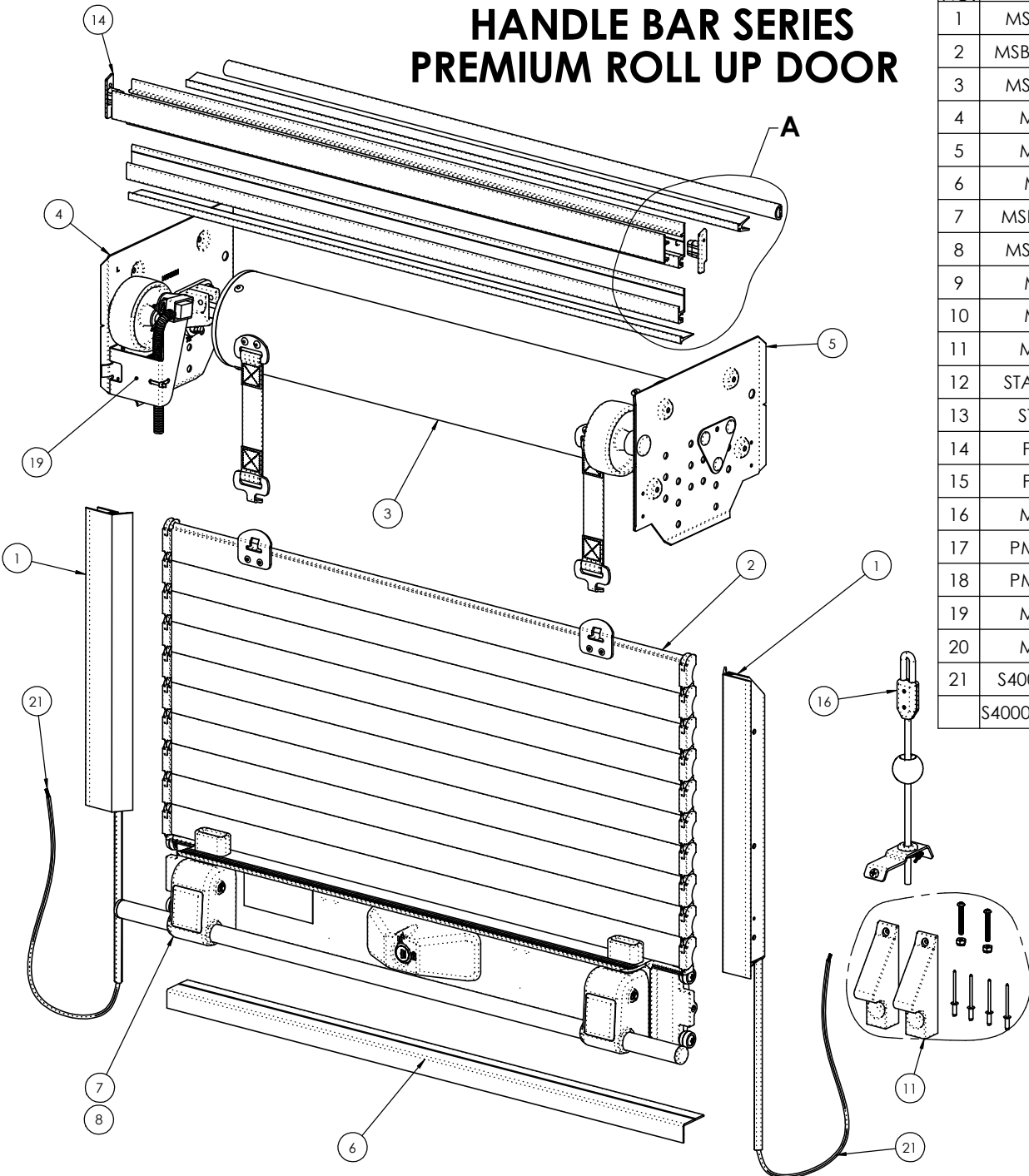
SERVICE PARTS MANUAL

DOC NO: INST00004
CHG:STB

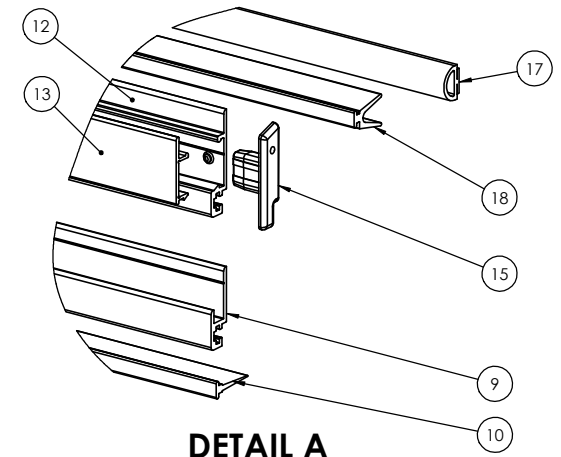
REV: -
APR: PJC

ECN: ERN11006 **DATE: 2-1-11**

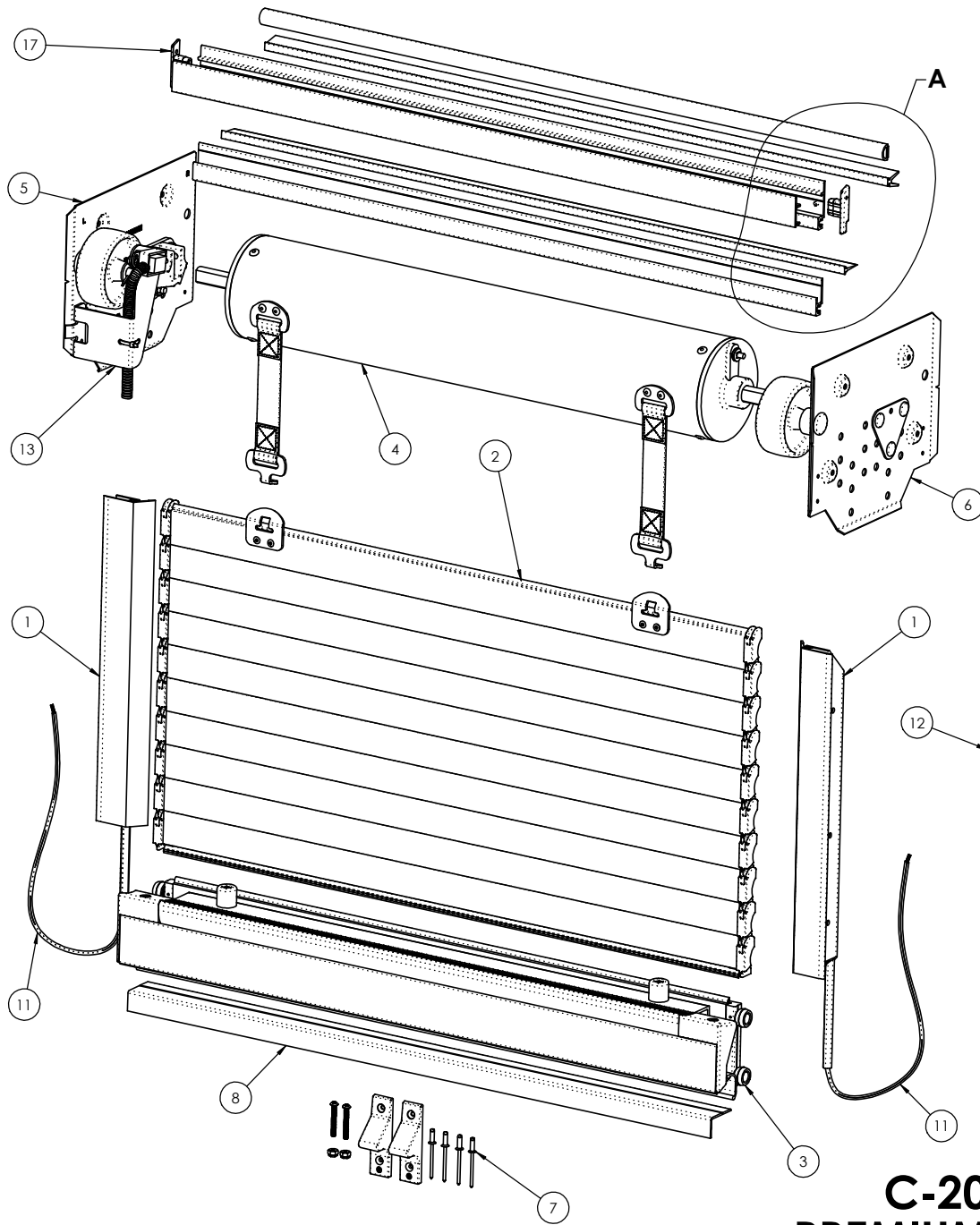
HANDLE BAR SERIES PREMIUM ROLL UP DOOR



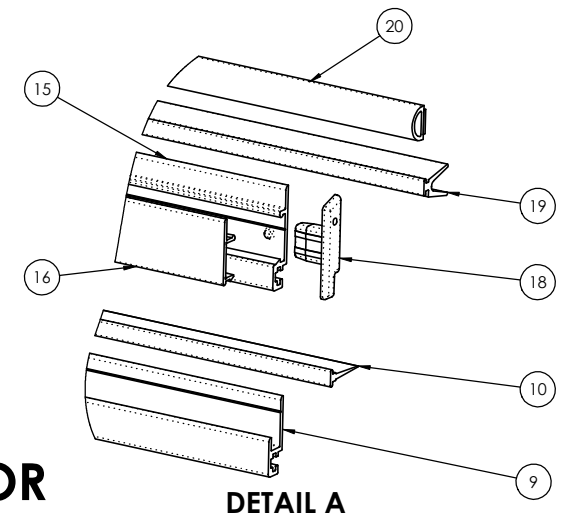
ITEM NO.	PART NUMBER	DESCRIPTION	QTY
1	MSB424-XX	S/A - GUIDE CHANNELS, HANDLE BAR R.U.D., LOCKING	1
2	MSB391-XXXX	S/A - CURTAIN, ROLL UP DOOR	1
3	MSB359-XX	S/A - ROLLER TUBE	1
4	MSB356	6X9 MOUNTING PLATE LH	1
5	MSB357	6X9 MOUNTING PLATE RH	1
6	M7026	EXTRUSION, SILL, TYPE "A"	1
7	MSB419-XXL	S/A, HANDLE, ROLL UP DOOR, LOCKING	1
8	MSB419-XX	S/A,HANDLE,ROLL UP DOOR,NON LOCKING (NOT SHOWN)	
9	M7002	DRIP RAIL	1
10	M7003	TOP SEAL	1
11	MSB422	S/A - HANDLE BAR KEEPER MTG. KIT, PREMIUM HANDLE BAR DOOR	1
12	STAL023-XX	COVERED DRIP RAIL, MANUFACTURED	1
13	STAL024	DRIP RAIL COVER	1
14	PPL034	ENDCAP, DRIP RAIL, LH	1
15	PPL035	END CAP, DRIP RAIL, RH	1
16	MSB430	S/A - PULL CORD, HANDLE BAR ROLL UP DOOR	1
17	PMISC151	RUBBER SEAL, EXTRUDED, HT ADHESIVE BACKED	1
18	PMISC147	TOP SEAL, DUAL FLANGE, ROLL UP DOOR	1
19	MSB429	S/A - DOOR AJAR SWITCH W/ BRACKET, LH	1
20	MSB428	S/A - DOOR AJAR SWITCH W/ BRACKET, RH (NOT SHOWN)	1
21	S4000LED-XX	S4000 WHITE LED EXTRUSION - 12 VOLTS	2
	S4000LED24V-XX	S4000 WHITE LED EXTRUSION - 24 VOLTS	2



DETAIL A
SCALE 2 : 3

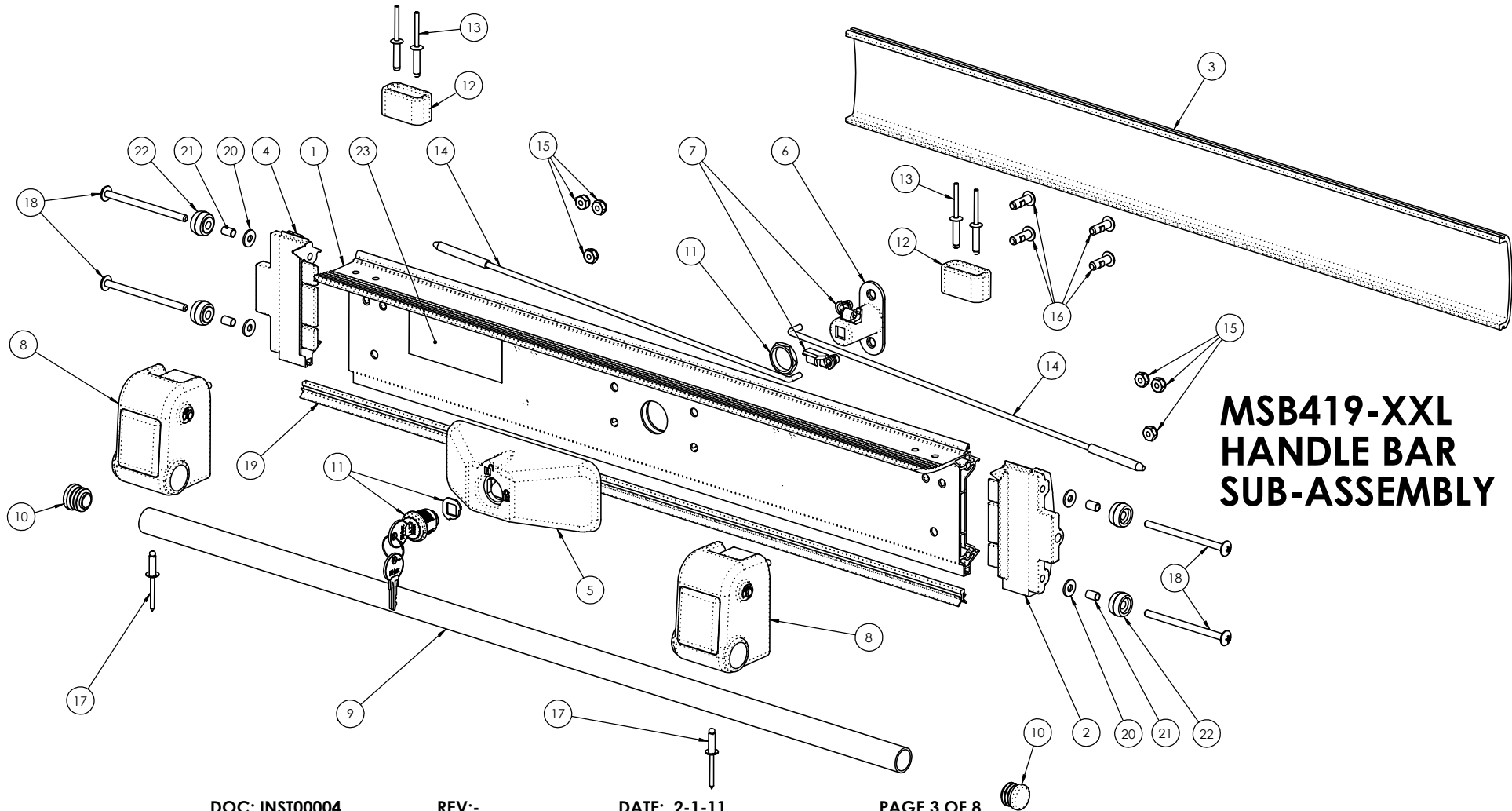


ITEM NO.	PART NUMBER	DESCRIPTION	QTY.
1	ASSTDCHANAXXXX	S/A - GUIDE CHANNELS, STD	1
2	MSB391-XXXX	S/A - CURTAIN, ROLL UP DOOR	1
3	MSB390-XX	S/A - HANDLE BAR	1
4	MSB359-XX	S/A - ROLLER TUBE	1
5	MSB356	6x9 MOUNTING PLATE LH	1
6	MSB357	6X9 MOUNTING PLATE RH	1
7	MSB355	S/A - HARDWARE KIT, LATCH STRIKE PLATE	1
8	M7026	EXTRUSION, SILL, TYPE "A"	1
9	M7002	DRIP RAIL	1
10	M7003	TOP SEAL	1
11	S4000LED-XX	S4000 WHITE LED EXTRUSION - 12 VOLTS	2
12	MSB431	S/A - PULL CORD, C-2000 ROLL UP DOOR	1
13	MSB429	S/A - DOOR AJAR SWITCH W/ BRACKET, LH	1
14	MSB428	S/A - DOOR AJAR SWITCH W/ BRACKET, RH (NOT SHOWN)	1
15	STAL023-XX	COVERED DRIP RAIL, MANUFACTURED	1
16	STAL024	DRIP RAIL COVER	1
17	PPL034	ENDCAP, DRIP RAIL, LH	1
18	PPL035	END CAP, DRIP RAIL, RH	1
19	PMISC147	TOP SEAL, DUAL FLANGE, ROLL UP DOOR	1
20	PMISC151	RUBBER SEAL, EXTRUDED, HT ADHESIVE BACKED	1



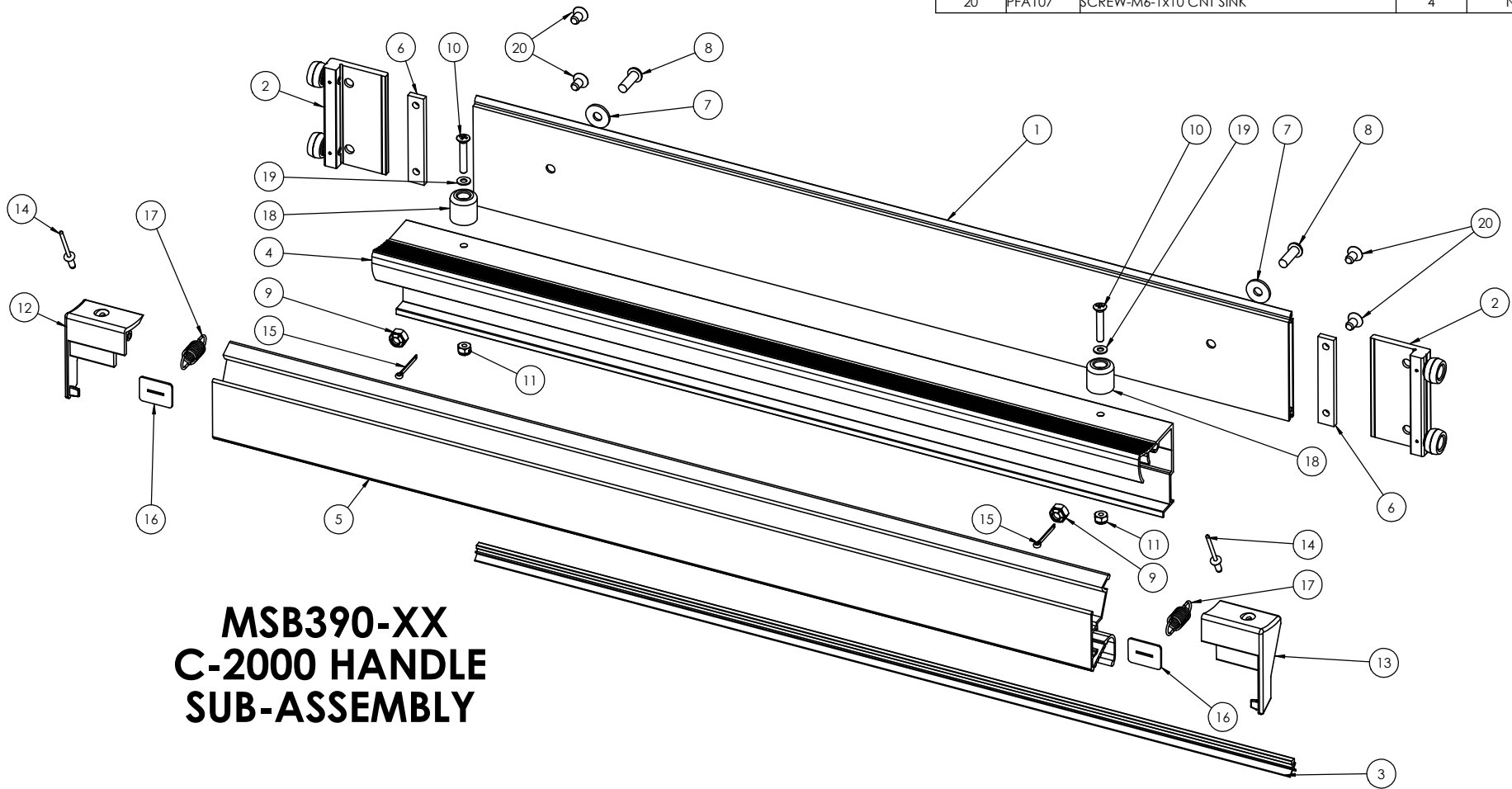
C-2000 SERIES PREMIUM ROLL UP DOOR

ITEM NO.	PART NUMBER	DESCRIPTION	QTY.	AVAILABLE FOR INDIVIDUAL PURCHASE?	ITEM NO.	PART NUMBER	DESCRIPTION	QTY.	AVAILABLE FOR INDIVIDUAL PURCHASE?
1	STAL019-XXL	LATH, LATCH, TRADITIONAL BAR HANDLE	1	NO	13	PFA118	3/16 x 3/4 BREAK-STEM RIVET	4	NO
2	PPL026	WHEEL CARRIER, LATCH LATH, ROLL UP DOOR, RH	1	NO	14	MLR007-XX	S/A - LOCKING ROD, FORMED, ROLL UP DOOR	2	NO
3	PMISC138	COVER, LATCH LATH, ROLL UP DOOR	1	YES	15	PFA047	10-24 LOCK NUT, NYLON INSERT	VARIES	NO
4	PPL027	WHEEL CARRIER, LATCH LATH, ROLL UP DOOR, LH	1	NO	16	PFA137	SCREW, LOCKING, 1/4-20 X 3/4" BUTTON HEAD, STAINLESS	4	NO
5	PPL030	MOUNTING BLOCK, KEY CYL, ROLL UP DOOR HANDLE	1	NO	17	R7005	RIVET- DOMED HEAD .194	VARIES	NO
6	PCAD038	CAM, KEY CYL, ROLL UP DOOR	1	NO	18	PFA136	SCREW, 10-32 X 3" TRUSS HEAD, STAINLESS	4	NO
7	LKUP35	ROD CLIP	2	NO	19	PMISC148	SEAL, BASE, ROLL UP DOOR	1	NO
8	MSB420	S/A, HANDLE PIVOT, ROLL UP DOOR	VARIES	YES	20	PWA056	WASHER, HANDLE SCREW	4	NO
9	M4210-XXKXX	MANUFACTURED HANDLE BAR 3/4" OD	1	NO	21	PSM062	SLEEVE, WHEEL BOLT, ROLL UP DOOR HANDLE	4	NO
10	PPL029	ENDCAP, HANDLE BAR, ROLL UP DOOR	2	NO	22	PPL008	WHEEL, CARRIER	4	NO
11	K175A____RX	ASM., 175A KEY CYLINDER w/ REMOVABLE CAM	1	NO	23	PMISC140	LABEL, ROLL UP DOOR HANDLE	1	NO
12	PMISC137	BUMPER, ROLL UP DOOR HANDLE	2	NO					

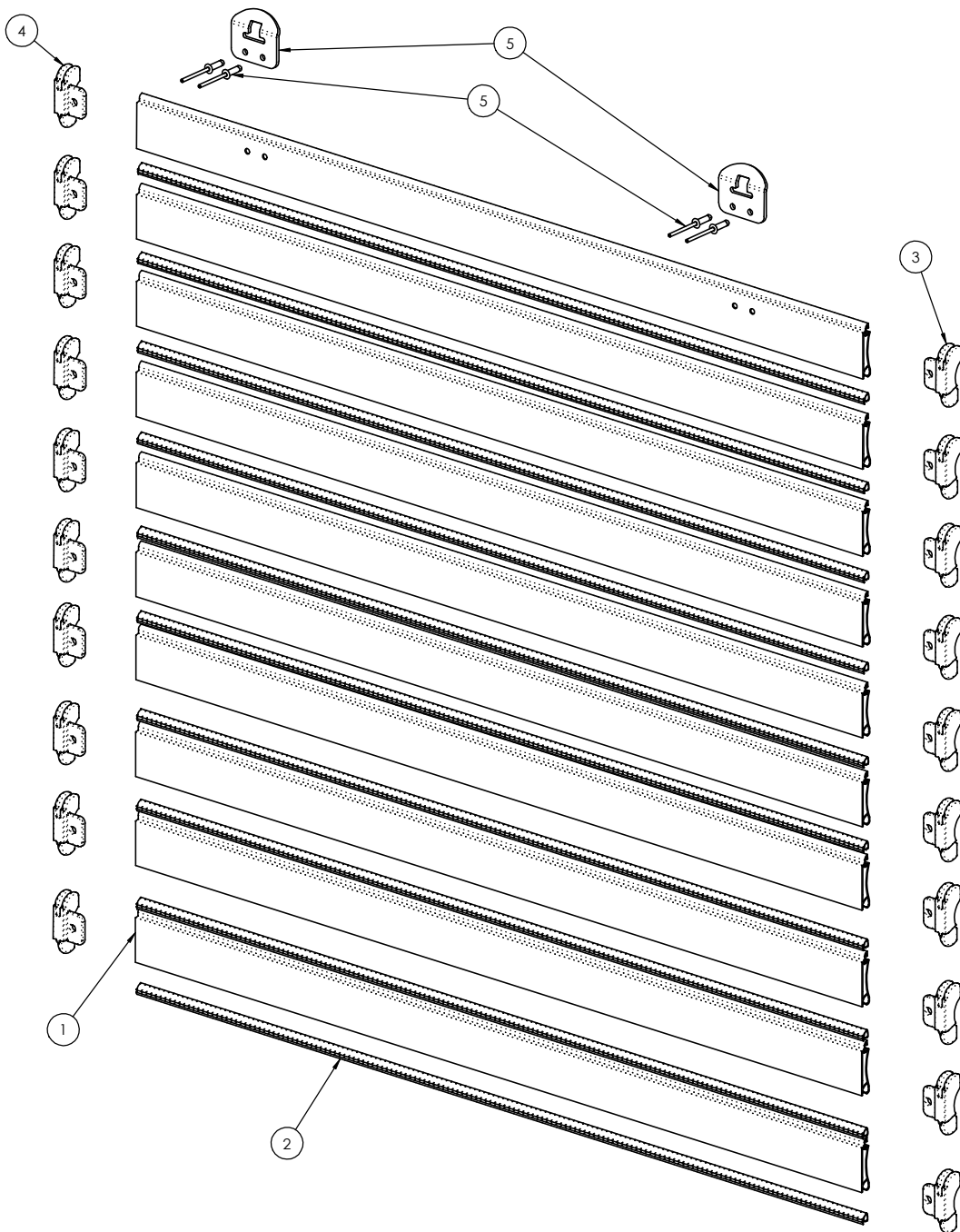


**MSB419-XXL
HANDLE BAR
SUB-ASSEMBLY**

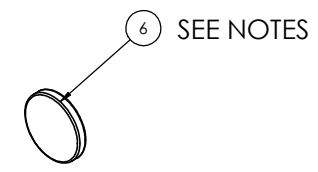
ITEM NO.	PART NUMBER	DESCRIPTION	QTY	AVAILABLE FOR INDIVIDUAL PURCHASE?	ITEM NO.	PART NUMBER	DESCRIPTION	QTY	AVAILABLE FOR INDIVIDUAL PURCHASE?
1	STAL015	LATH, LATCH	1	NO	10	PFA109	SCREW, MACHINE - #8 X 32 SS PHIL HEAD	2	NO
2	MSB346	S/A - WHEEL CARRIER	2	NO	11	R7031	8-32 LOCK HEX NUT	2	NO
3	PMISC148	SEAL, BASE, ROLL UP DOOR	1		12	R2401L	C2000 ENDCAP, LH (SERVICE KIT)	1	YES
4	M7021	CENTURY 2000 BASE EXTRUSION	1	NO	13	R2401R	C2000 ENDCAP, RH (SERVICE KIT)	1	YES
5	M7022	CENTURY 2000 HANDLE EXTRUSION	1	NO	14	S270	RIVET, BUTTON HEAD, .156" x .40" (SERVICE KIT)	2	NO
6	PST210	SHIM, THREADED, M6	2	NO	15	R7027	PIN, COTTER .5/64" x 1/2"	2	NO
7	R2125	M6 DIN 9021 WASHER	VARIES	NO	16	R7028	PLATE, SPRING MOUNTING	2	NO
8	R7032	1/4-20 X 0.75 BUTTON HEAD CAP SCREW	VARIES	NO	17	R2410	EXTENSION SPRING, HANDLE	2	NO
9	R7017	LOCK NUT - NYLON INSERT 1/4-20	VARIES	NO	18	PMISC101	BUMPER	2	NO
					19	PWA055	WASHER, BUMPER, ROLL UP DOOR	2	NO
					20	PFA107	SCREW-M6-1x10 CNT SINK	4	NO



**MSB390-XX
C-2000 HANDLE
SUB-ASSEMBLY**



ITEM NO.	PART NUMBER	DESCRIPTION	QTY
1	STAL014	LATH, BOX	VARIABLE
2	STPL001	EXTRUDED SPACER/SEAL	VARIABLE
3	PPL006	SLIDE GUIDE, RH	VARIABLE
4	PPL007	SLIDE GUIDE, LH	VARIABLE
5	MSB435	BRACKET, CURTAIN STRAP, ROLL UP DOOR (SERVICE KIT)	VARIABLE
	PFA133	5/32 x 11/32 BREAK-STEM RIVET (SERVICE KIT)	VARIABLE
6	PMISC144	MAGNET, DOOR AJAR SWITCH	1

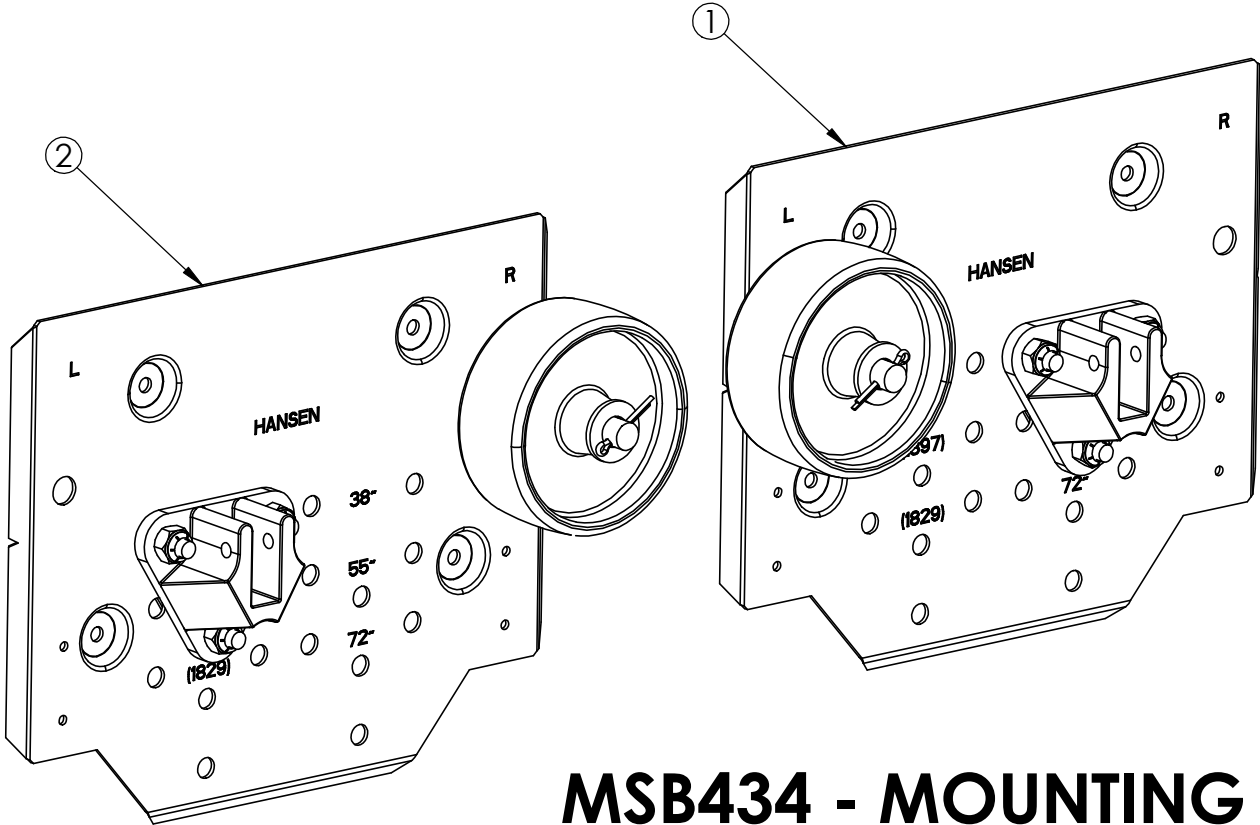


PREMIUM CURTAIN SUB-ASSEMBLY

NOTES:

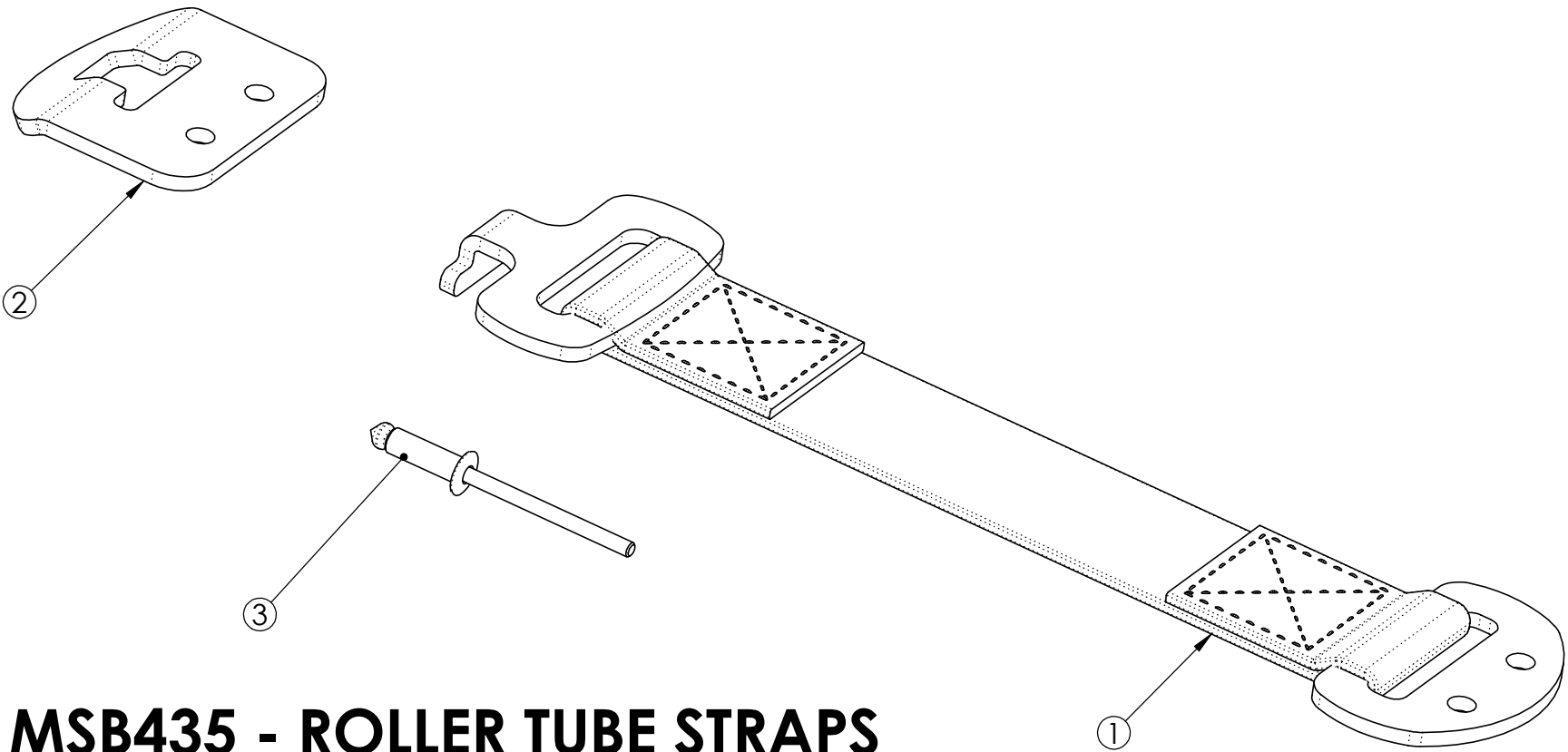
- 1) MAGNET SUPPLIED PERMANENTLY INSIDE LATH MATERIAL WHICH IS CUT TO LENGTH

ITEM NO.	PART NUMBER	DESCRIPTION	QTY.
1	MSB356	6x9 MOUNTING PLATE LH	1
2	MSB357	6X9 MOUNTING PLATE RH	1



MSB434 - MOUNTING PLATES SERVICE PARTS KIT

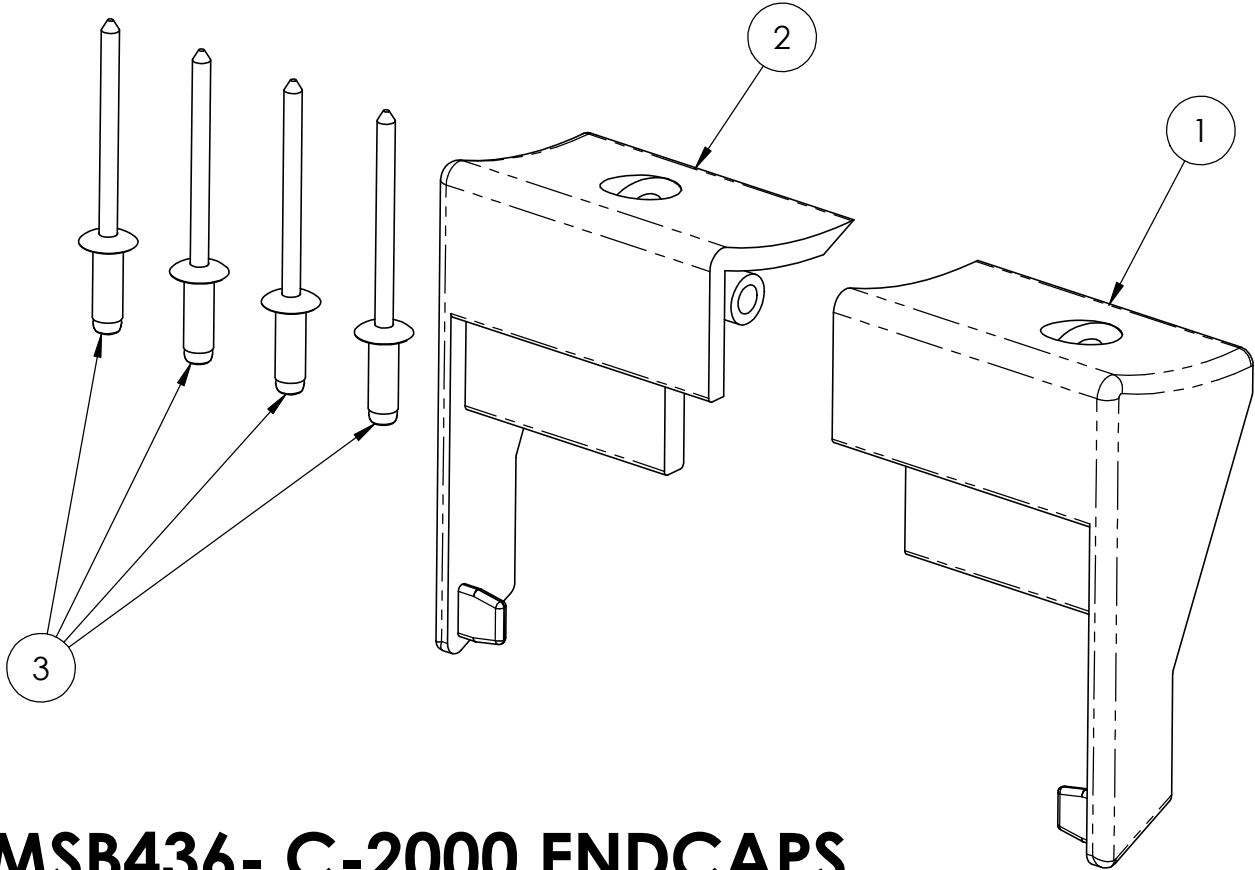
ITEM NO.	PART NUMBER	DESCRIPTION	QTY.
1	PSB016	S/A, ROLL UP DOOR STRAP	3
2	PST257	BRACKET, CURTAIN STRAP, ROLL UP DOOR	3
3	PFA133	5/32 x 11/32 BREAK-STEM RIVET	14



**MSB435 - ROLLER TUBE STRAPS
SERVICE PARTS KIT**

**(REFER TO BOM FOR
ACTUAL QUANTITIES)**

ITEM NO.	PART NUMBER	DESCRIPTION	QTY.
1	R2401R	C2000 ENDCAP, RH	1
2	R2401L	C2000 ENDCAP, LH	1
3	S270	RIVET, BUTTON HEAD - .156" x .40"	4



MSB436- C-2000 ENDCAPS SERVICE PARTS KIT