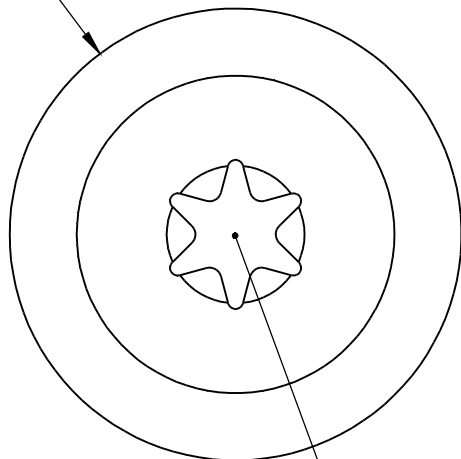
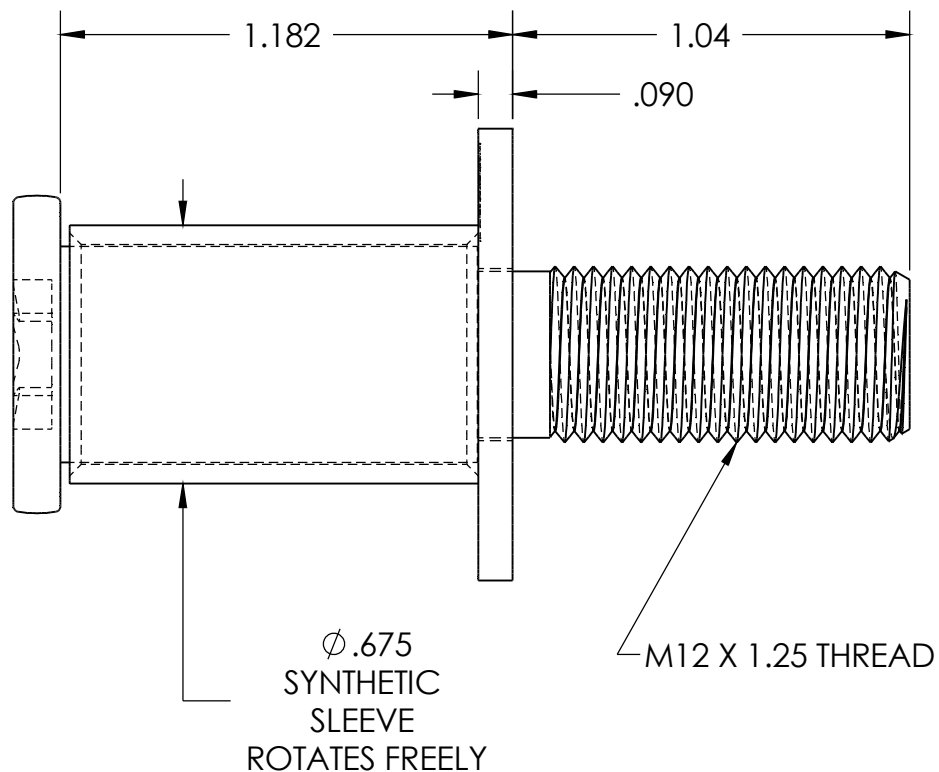


Ø1.181  
WASHER



T-50 TORX HEAD  
(3/8" HEX SOCKET OPTIONAL)



Ø.675  
SYNTHETIC  
SLEEVE  
ROTATES FREELY

M12 X 1.25 THREAD

NOTES:

1. MATERIALS AND FINISHES: STRIKER BOLT TO BE MEDIUM CARBON STEEL, HARDENED AND TEMPERED. CARBON STEEL WASHER AND POLYMER SLEEVE.

FINISH OF STEEL PARTS TO BE YELLOW ZINC PLATED, BAKED TO PREVENT HYDROGEN EMBRITTEMENT

2. ASSEMBLY CONFORMS TO FMVSS 206 WHEN USED IN CONJUNCTION WITH P/N STUA12, LMLA03 OR LMRA03



DESCRIPTION:	STRIKER BOLT	Weight	0.17 LBS
Part Number:	STUA13	REV	-

PROPRIETARY NOTICE: THIS DRAWING IS EXCLUSIVELY THE PROPERTY OF HANSEN INTERNATIONAL INC. AND SHALL NOT BE COPIED OR PASSED ON TO A THIRD PARTY WITHOUT OUR PRIOR WRITTEN APPROVAL. WE WILL RETAIN ALL RIGHTS FOR PATENT ISSUE OR REGISTRATION OF DESIGN.  
©2019 Hansen International, Inc.