

**DETAIL A  
ADJUSTABLE LIGHT  
POSITIONS**

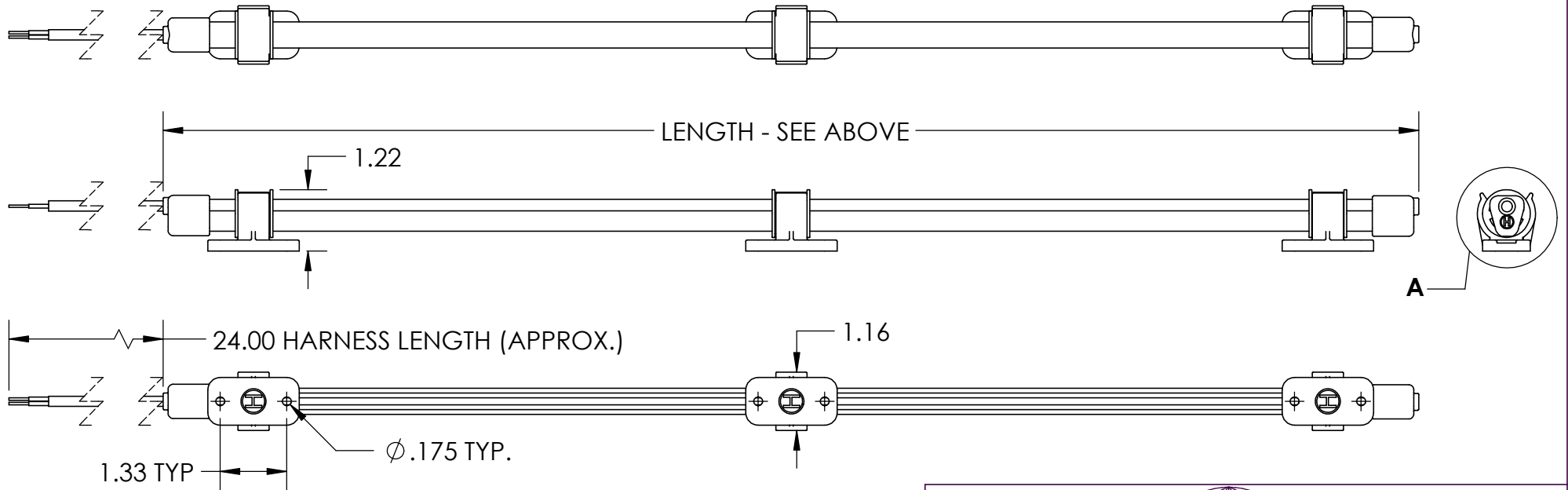
PART NUMBERING EXAMPLE

**LED10WH12V-25**

LED COLORS:  
WH = WHITE  
BL = BLUE  
RE = RED  
RGB = RED/GREEN/BLUE

VOLTAGE:  
12 OR 24V

LENGTHS (IN):  
6, 9, 12, 18, 21, 24,  
27, 36, 39, 42, 48, 57



NOTES:

1. MATERIALS : POLYCARBONATE LIGHT TUBE WITH PP MOLDED BRACKETS AND ENDCAPS, VINYL WIRE SHEATHING
2. FINISHES : AS MOLDED
3. DIMENSIONS ARE FOR REFERENCE ONLY



DESCRIPTION: 10MM COMPARTMENT LIGHTING	Weight NA
Part Number: LED10XXXXV-XX	REV -

PROPRIETARY NOTICE: THIS DRAWING IS EXCLUSIVELY THE PROPERTY OF HANSEN INTERNATIONAL INC. AND SHALL NOT BE COPIED OR PASSED ON TO A THIRD PARTY WITHOUT OUR PRIOR WRITTEN APPROVAL. WE WILL RETAIN ALL RIGHTS FOR PATENT ISSUE OR REGISTRATION OF DESIGN.  
©2018 Hansen International, Inc.