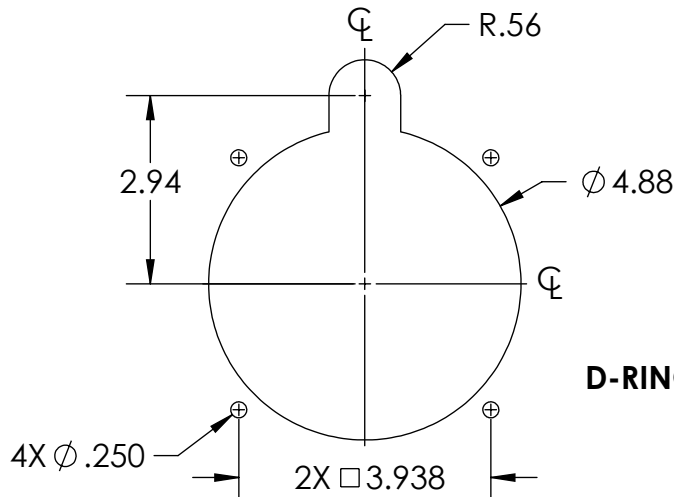
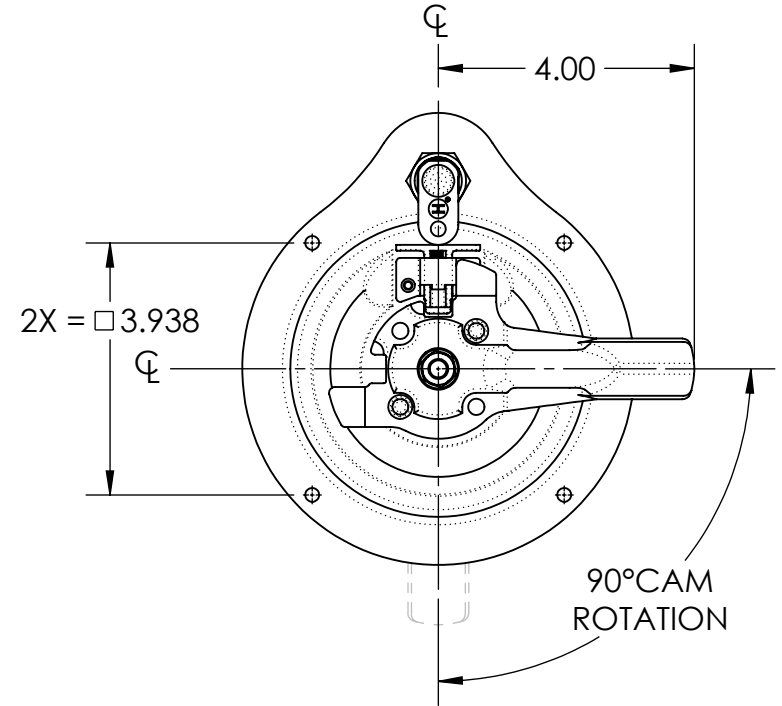
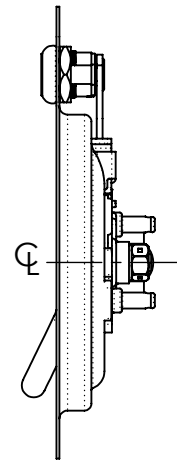
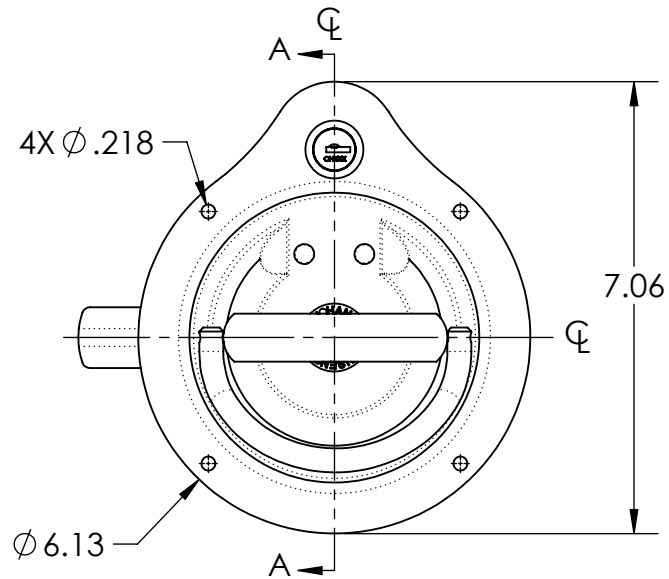
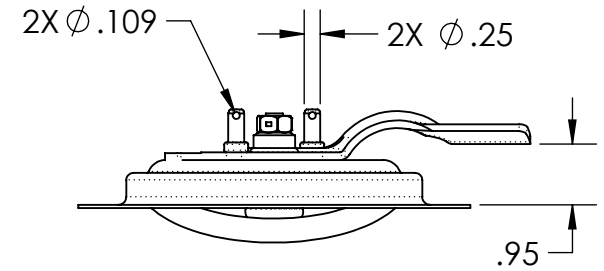
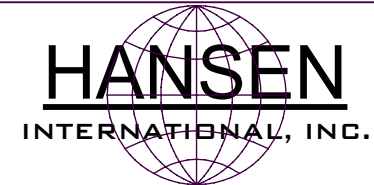


NOTES:

1. MAT'L & FINISH: POLISHED STAINLESS STEEL TRAY AND HANDLE.
ALL OTHER COMPONENTS ARE STAINLESS STEEL OR ZINC PLATED STEEL.
2. DIMENSIONS IN () ARE FOR REFERENCE ONLY.



D-RING CUTOUT



DESCRIPTION:	ASSEMBLY-#2103-L W/MTG HOLES	Weight 1.28 LBS
Part Number:	N2103LRSPBXX	REV -

PROPRIETARY NOTICE: THIS DRAWING IS EXCLUSIVELY THE PROPERTY OF HANSEN INTERNATIONAL INC. AND SHALL NOT BE COPIED OR PASSED ON TO A THIRD PARTY WITHOUT OUR PRIOR WRITTEN APPROVAL. WE WILL RETAIN ALL RIGHTS FOR PATENT ISSUE OR REGISTRATION OF DESIGN.
©2018 Hansen International, Inc.