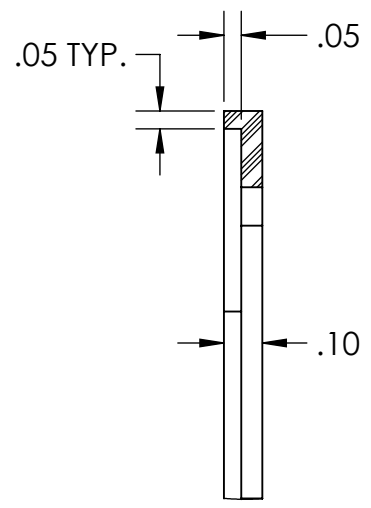


SECTION A-A



DETAIL B  
SCALE 2 : 1

NOTES:

1. MATERIAL: EPDM RUBBER, 65-75 DUROMETER
2. DIMENSIONS TO LIP ARE TO INSIDE PERIMETER OF LIP
3. ALL ANGLES/BENDS ARE 90° UNLESS NOTED
4. DIMENSIONS ARE FOR REFERENCE ONLY
5. PART IS SYMMETRICAL ABOUT CENTERLINE.



DESCRIPTION:	279-L RUBBER GASKET	Weight .1 LBS
Part Number:	PMISC242	REV -

PROPRIETARY NOTICE: THIS DRAWING IS EXCLUSIVELY THE PROPERTY OF HANSEN INTERNATIONAL INC. AND SHALL NOT BE COPIED OR PASSED ON TO A THIRD PARTY WITHOUT OUR PRIOR WRITTEN APPROVAL. WE WILL RETAIN ALL RIGHTS FOR PATENT ISSUE OR REGISTRATION OF DESIGN.  
©2020 Hansen International, Inc.