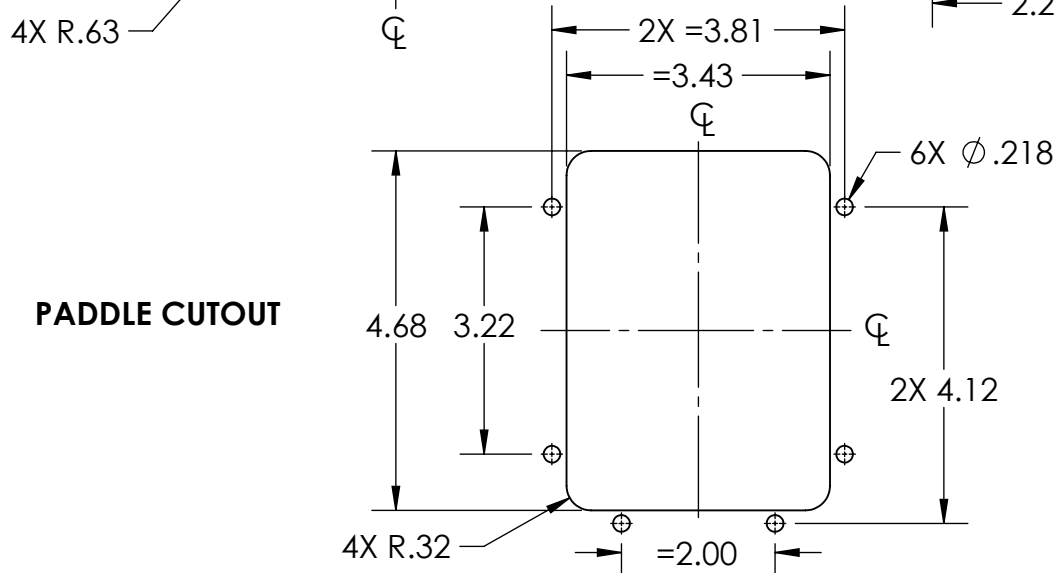
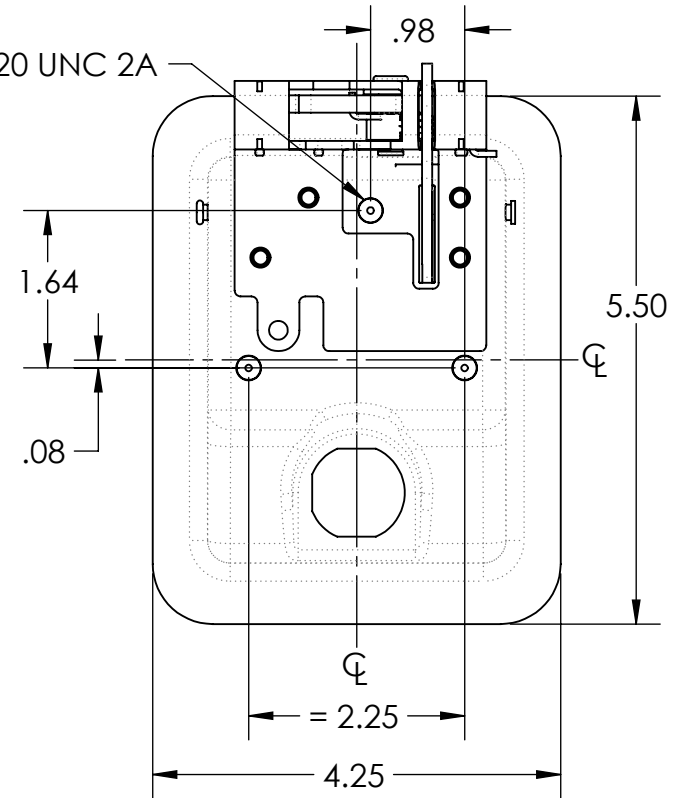
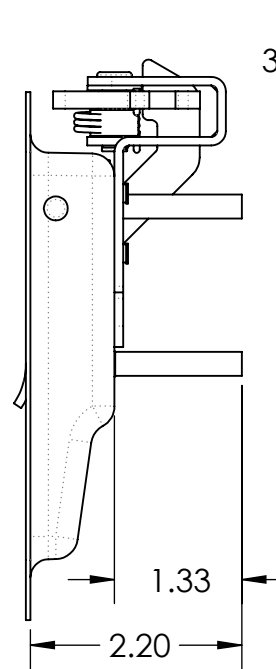
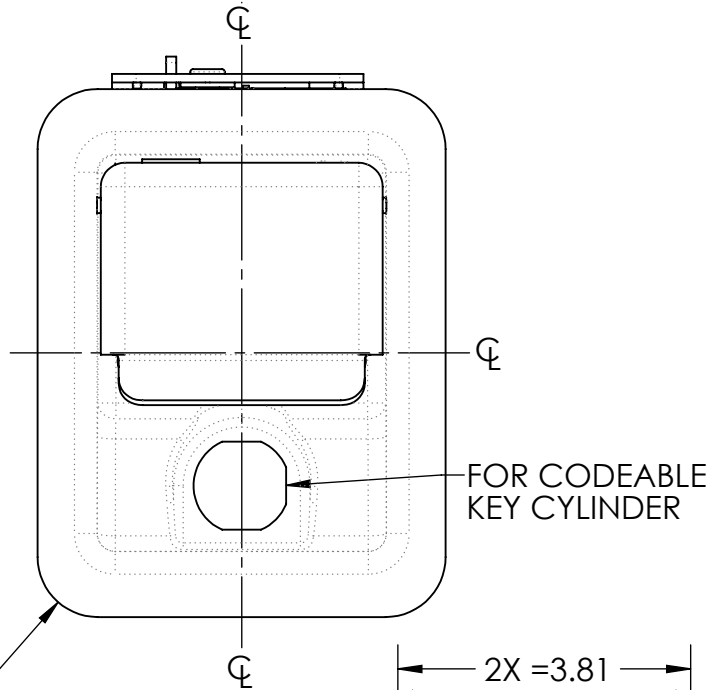



NOTES:

1. MATERIAL AND FINISH: POLISHED STAINLESS STEEL TRAY AND HANDLE. ALL OTHER COMPONENTS ARE STAINLESS STEEL OR ZINC PLATED STEEL.
2. FOR USE WITH PPL021- A REAR COVER BRACKET.
3. 1/4-20 NYLOCK FLANGE NUTS ARE RECOMMENDED FOR INSTALLATION TORQUED TO 35-40 IN/LBS. NUTS NOT SUPPLIED.
4. = DENOTES DIMENSIONS THAT ARE EQUALLY SPACED ABOUT THE CENTERLINE.
5. DIMENSIONS ARE FOR REFERENCE ONLY.





DESCRIPTION:	Weight
ASSY RIVETLESS ERL, CODEABLE KEY CYL.	1.21 LBS
Part Number:	REV
41X8A269XL-C	1
<small>PROPRIETARY NOTICE: THIS DRAWING IS EXCLUSIVELY THE PROPERTY OF HANSEN INTERNATIONAL INC. AND SHALL NOT BE COPIED OR PASSED ON TO A THIRD PARTY WITHOUT OUR PRIOR WRITTEN APPROVAL. WE WILL RETAIN ALL RIGHTS FOR PATENT ISSUE OR REGISTRATION OF DESIGN.</small>	
<small>©2020 Hansen International, Inc.</small>	