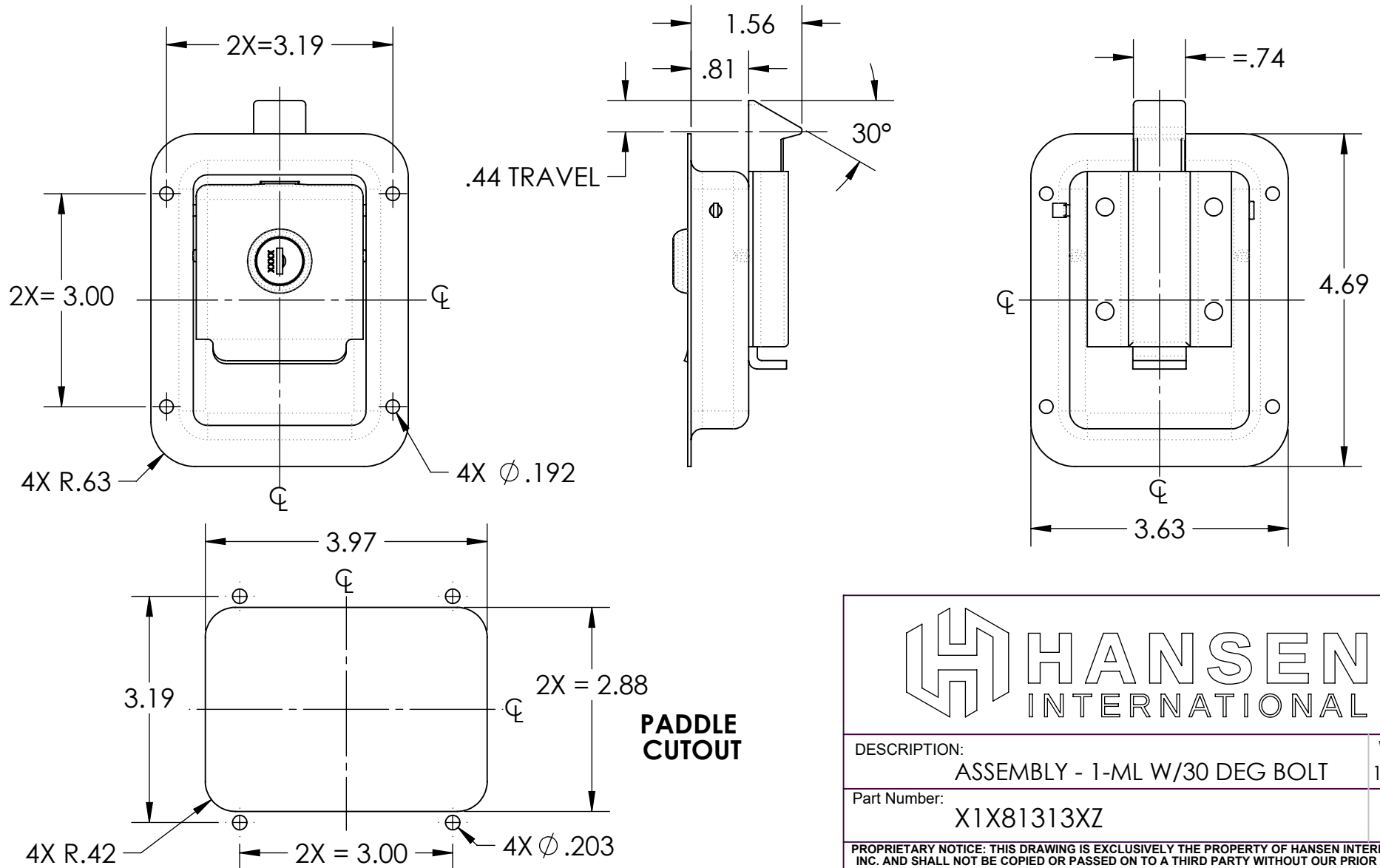


NOTES:

1. MATERIAL AND FINISH: POLISHED S'STL. TRAY AND HANDLE. ALL OTHER COMPONENTS ARE STAINLESS OR ZINC PLATED STEEL.
2. = DENOTES DIMENSION THAT ARE EQUALLY SPACED ABOUT THE CENTERLINE
3. DIMENSIONS ARE FOR REFERENCE ONLY.



DESCRIPTION:	ASSEMBLY - 1-ML W/30 DEG BOLT	Weight	1.05 LBS
Part Number:	X1X81313XZ	REV	2

PROPRIETARY NOTICE: THIS DRAWING IS EXCLUSIVELY THE PROPERTY OF HANSEN INTERNATIONAL INC. AND SHALL NOT BE COPIED OR PASSED ON TO A THIRD PARTY WITHOUT OUR PRIOR WRITTEN APPROVAL. WE WILL RETAIN ALL RIGHTS FOR PATENT ISSUE OR REGISTRATION OF DESIGN.  
 ©2020 Hansen International, Inc.