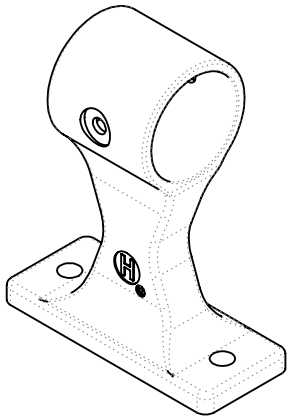
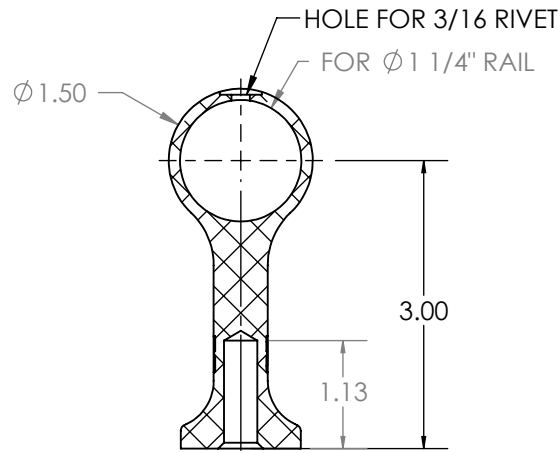


ISOMETRIC VIEW  
SCALE: 1:2

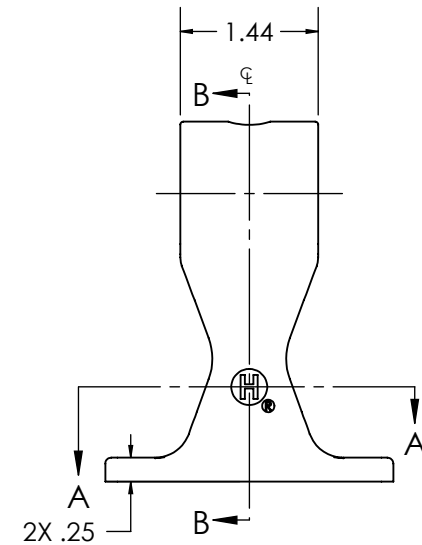
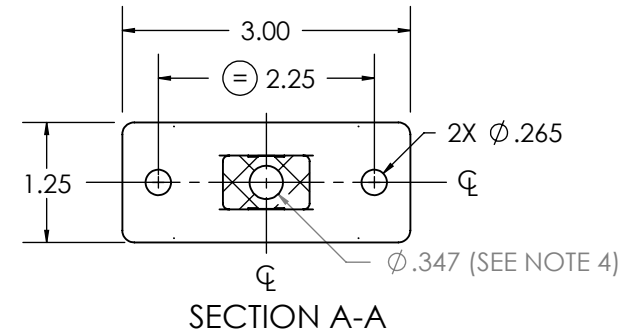


("DL" VERSIONS ONLY)  
ISOMETRIC VIEW  
SCALE: 1:2

OPTIONS		
PART NUMBER	FINISH	RIVET HOLES
283021-BK	BLACK POWDER COAT	YES (1X)
283021-DLBK	BLACK POWDER COAT	YES (2X)



SECTION B-B



NOTES:

1. DIMENSIONS ARE FOR REFERENCE ONLY
2. MATERIAL: ZAMAK #3
3. FINISH: SEE TABLE
4.  $\varnothing$ .347 HOLE IS AN OPTIONAL FEATURE.



DESCRIPTION: STANCHION, CENTER-#4100-BLACK	Weight .69 LBS
Part Number: 283021-BK	REV 1

PROPRIETARY NOTICE: THIS DRAWING IS EXCLUSIVELY THE PROPERTY OF HANSEN INTERNATIONAL INC. AND SHALL NOT BE COPIED OR PASSED ON TO A THIRD PARTY WITHOUT OUR PRIOR WRITTEN APPROVAL. WE WILL RETAIN ALL RIGHTS FOR PATENT ISSUE OR REGISTRATION OF DESIGN.  
©2020 Hansen International, Inc.