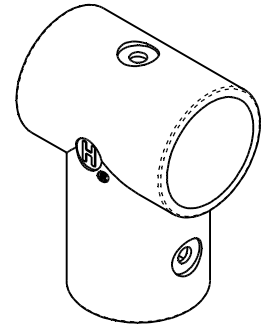
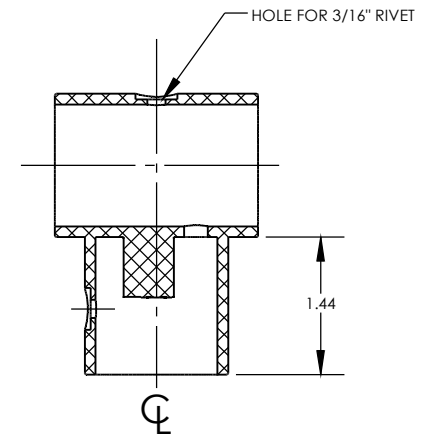
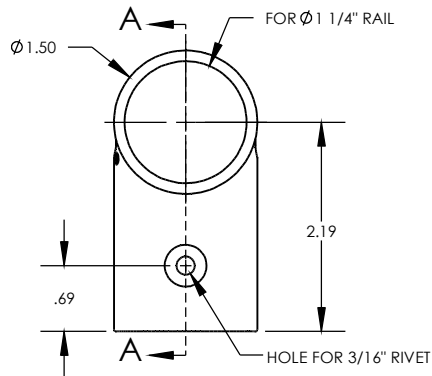
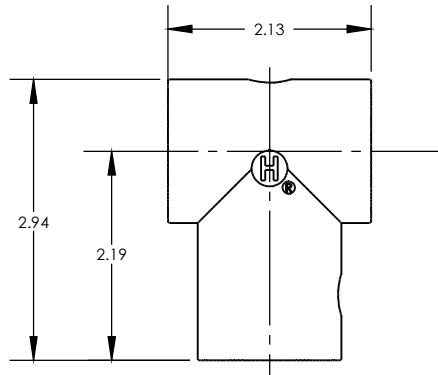


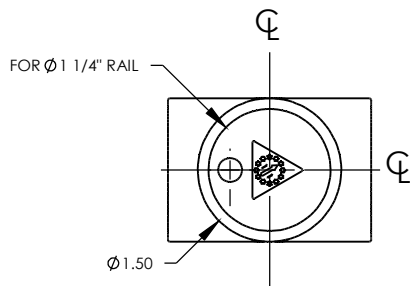
OPTION(S)		
PART NUMBER	FINISH	RIVET HOLES
383052-BK	BLACK POWDER COAT	YES (2X)



ISOMETRIC VIEW



SECTION A-A



NOTES:

1. DIMENSIONS ARE FOR REFERENCE ONLY
2. MATERIAL: ZAMAK #3
3. FINISH: SEE TABLE



DESCRIPTION: STANCHION, TEE-#4100	Weight .49 LBS
Part Number: 383052-BK	REV -
<small>PROPRIETARY NOTICE: THIS DRAWING IS EXCLUSIVELY THE PROPERTY OF HANSEN INTERNATIONAL INC. AND SHALL NOT BE COPIED OR PASSED ON TO A THIRD PARTY WITHOUT OUR PRIOR WRITTEN APPROVAL. WE WILL RETAIN ALL RIGHTS FOR PATENT ISSUE OR REGISTRATION OF DESIGN.</small> ©2018 Hansen International, Inc.	