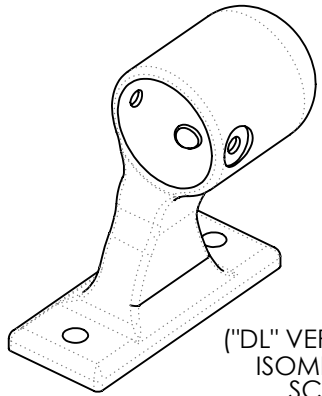
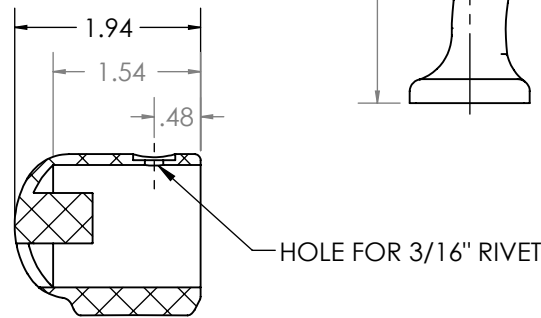
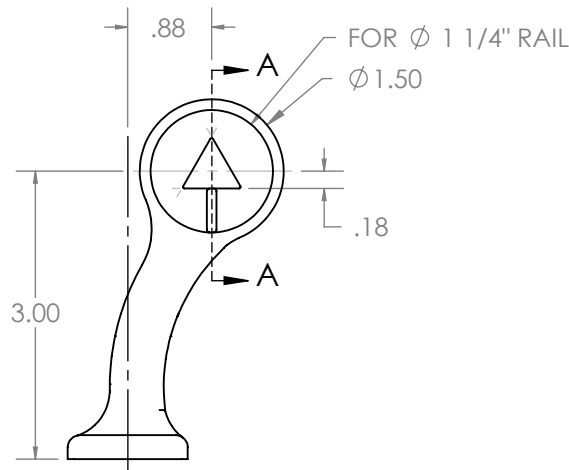
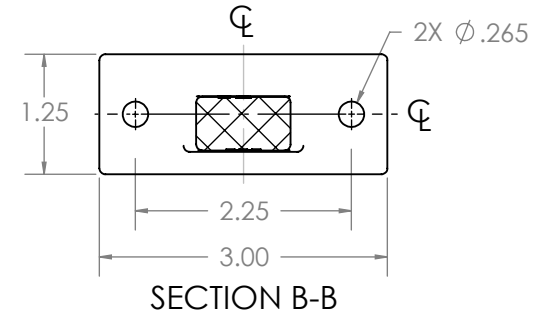


ISOMETRIC VIEW  
SCALE: 1:2

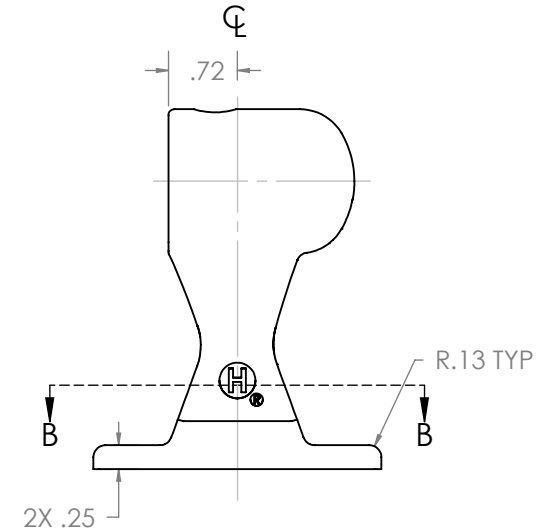


("DL" VERSIONS ONLY)  
ISOMETRIC VIEW  
SCALE: 1:2

| OPTIONS      |            |             |
|--------------|------------|-------------|
| PART NUMBER  | FINISH     | RIVET HOLES |
| CR-383045    | SC3 CHROME | YES (1X)    |
| CR-383045NH  | SC3 CHROME | NO          |
| CR-383045L   | SC3 CHROME | YES (1X)    |
| CR-383045-DL | SC3 CHROME | YES (2X)    |



SECTION A-A



NOTES:

1. DIMENSIONS ARE FOR REFERENCE ONLY
2. MATERIAL: ZAMAK #3
3. FINISH: SEE TABLE



|   |                   |
|---|-------------------|
| DESCRIPTION:<br>STANCHION, OFFSET END RH-#4100  | Weight<br>.81 LBS |
| Part Number:<br>CR-383045   | REV<br>1          |
| <small>PROPRIETARY NOTICE: THIS DRAWING IS EXCLUSIVELY THE PROPERTY OF HANSEN INTERNATIONAL INC. AND SHALL NOT BE COPIED OR PASSED ON TO A THIRD PARTY WITHOUT OUR PRIOR WRITTEN APPROVAL. WE WILL RETAIN ALL RIGHTS FOR PATENT ISSUE OR REGISTRATION OF DESIGN.<br/>©2020 Hansen International, Inc.</small> |                   |