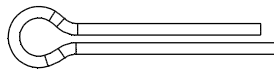
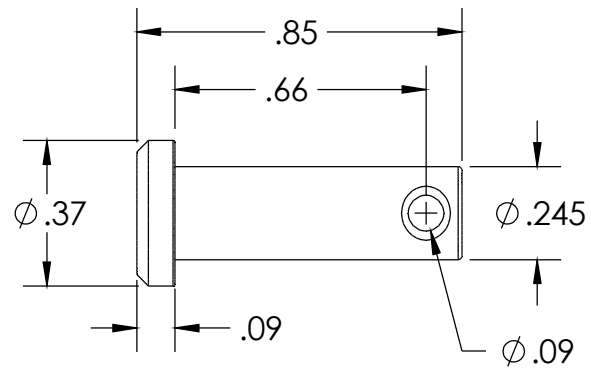


RUBBER WASHER  
w/ ZINC PLATED STEEL BACK



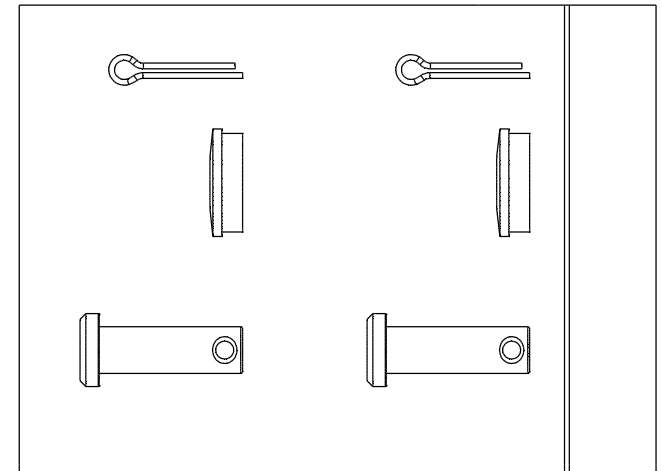
3/32 x 1/2 COTTER PIN  
ZINC PLATED STEEL



CLEVIS PIN  
ZINC PLATED STEEL

NOTES:

1. DIMENSIONS IN ( ) ARE FOR REFERENCE ONLY.
2. ZINC PLATED FINISHES PER COMPONENT MANUFACTURER



PMISC217  
SCALE: 1:1

KIT COMPONENTS SEALED IN POLY BAG  
(2 EACH AS SHOWN)



|              |                            |                   |
|--------------|----------------------------|-------------------|
| DESCRIPTION: | KIT, HARDWARE 3PT T-HANDLE | Weight<br>.04 LBS |
| Part Number: | PMISC217                   | REV<br>-          |

PROPRIETARY NOTICE: THIS DRAWING IS EXCLUSIVELY THE PROPERTY OF HANSEN INTERNATIONAL INC. AND SHALL NOT BE COPIED OR PASSED ON TO A THIRD PARTY WITHOUT OUR PRIOR WRITTEN APPROVAL. WE WILL RETAIN ALL RIGHTS FOR PATENT ISSUE OR REGISTRATION OF DESIGN.  
©2018 Hansen International, Inc.